



ARCHITECTURAL STREET FURNISHINGS

www.asfco.co.uk info@asfco.co.uk 01484 401414

**CAST IRON
BOLLARDS**



Cast Iron Bollards - Information

Overview

Architectural Street Furnishings are part of a group of UK based companies that comprises ASF, WB White Foundry and SG Castings. This gives ASF complete control over all cast iron products. The group of companies specialise in all elements of engineering and architectural metalwork, ranging from simple castings and fabrications to high end, precision engineering projects.

Environmental Information

All ASF Cast Iron Bollards are manufactured from 100% recycled materials - recycling is done on site in our own recycling plant. Cast iron is in itself extremely long lasting and durable, in normal use a cast iron bollard is expected to last in excess of 100 years. Cast iron can also be recycled indefinitely with absolutely no loss in property. The combination of this incredible lifespan and it's complete recyclability makes it a very sustainable material.

ASF cast iron bollards manufacturing journey, from raw material to finished product, is a matter of metres as it is all done on a single manufacturing site, so the products need only transport miles on their carbon imprint.

The major by-product output from the process of casting is iron oxide which actually has a beneficial environmental impact, encouraging green growth in plants and increasing the oxygen output of seas, thus reducing greenhouse gasses.

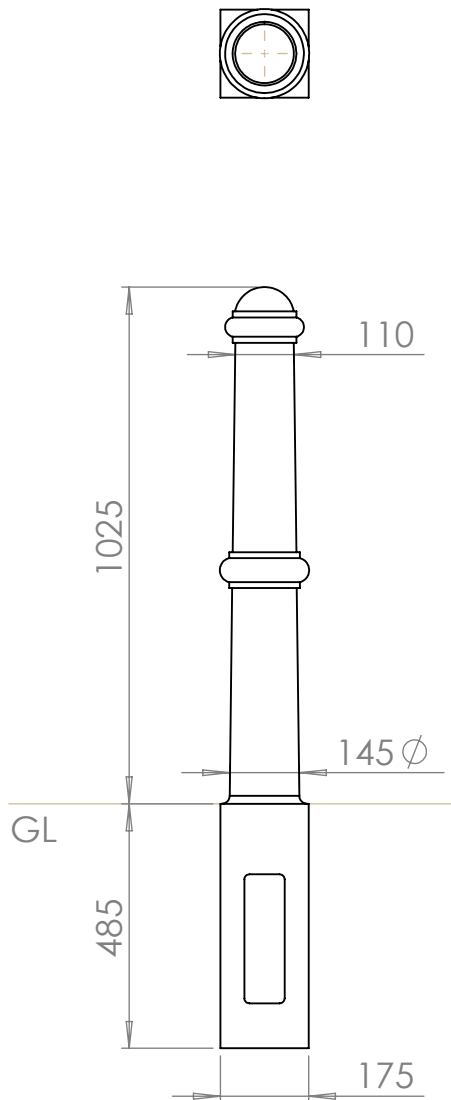
Grades of Cast Iron

Standard Grade - engineering grade 250

As standard, ASF Cast Iron Bollards are manufactured in engineering grade 250 cast iron (often higher). This grade is already much better in property than the necessary grade required for the manufacture of bollards, but as they are cast alongside high end engineering components they benefit from being manufactured from this material at the same time. Engineering grade 250 cast iron is an extremely long lasting and wear resistant material, that will, even if left unfinished and in its bare state, oxidise (turn orange) but not rust away, losing only a few microns in 100years. Once painted it should essentially last forever with minimum maintenance and repainting when necessary.

Ductile Iron

Ductile Iron is the common name for SG, or Spheroidal Graphite Iron - a group of materials with varying physical properties dependent on their grade. As its name suggests it has a higher level of ductility (potential elongation) than ordinary cast iron. This makes it more resistant to impact as it will behave in an elastic manner when struck. The manufacturing process is essentially the same as engineering grade 250 cast iron, but magnesium is added in the melting process. This acts as a flux that alters the molecular structure of the iron so instead of being made up of graphite flakes, it changes and is made up of graphite nodules - hence the name spheroidal graphite. This structure will not propagate a crack, hence giving ductility. Different grades offer different overall tensile strength and ductility combinations. ASF can manufacture bollards in any ductile grade, but the most common is grade 450/10, a very high and strong grade of iron that will sustain significant impacts without failure. Full structural calculations can be produced for individual projects if required, including blast resistance information if necessary.



1:15

Cast Iron Bollards | ASF 101

Material:

100% recycled, engineering grade 250 cast iron or any grade of ductile cast iron

Standard Finish:

Zinc rich primer and metal shield top coat

Optional Finish:

Bollards are available polyester powder coated. Embellishments, rings and features can be hand painted in a contrasting colour

Adaptations:

Bollards supplied root fixed as standard, but can also be supplied removable or as fold down ASF 650 trough bollards

Reflective Bands:

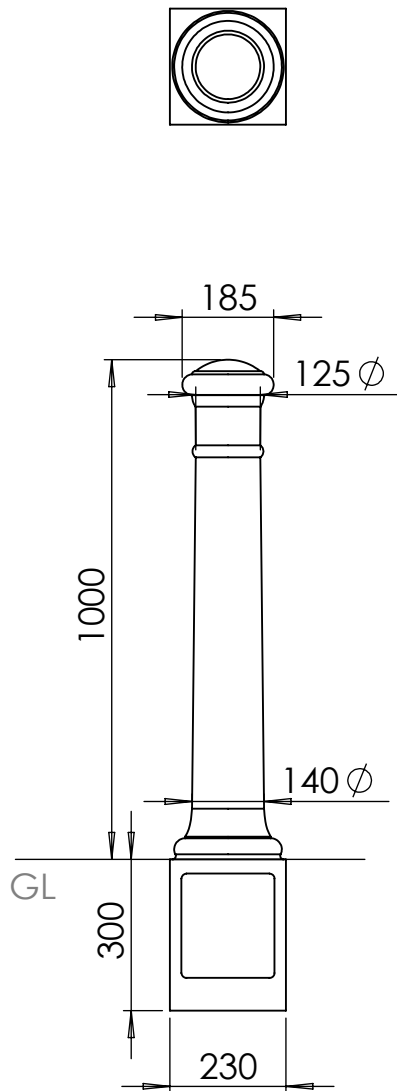
Reflective bands can be applied in white, red or yellow

Ram Raid Options:

Internal thick walled steel sleeves can be used to provide additional ram raid resistance

Logos / Coats of Arms:

Logos, emblems, coats of Arms etc. can be cast onto the side of the bollards on request



1:15

Cast Iron Bollards | ASF 102

Material:

100% recycled, engineering grade 250 cast iron or any grade of ductile cast iron

Standard Finish:

Zinc rich primer and metal shield top coat

Optional Finish:

Bollards are available polyester powder coated. Embellishments, rings and features can be hand painted in a contrasting colour

Adaptations:

Bollards supplied root fixed as standard, but can also be supplied removable or as fold down ASF 650 trough bollards

Reflective Bands:

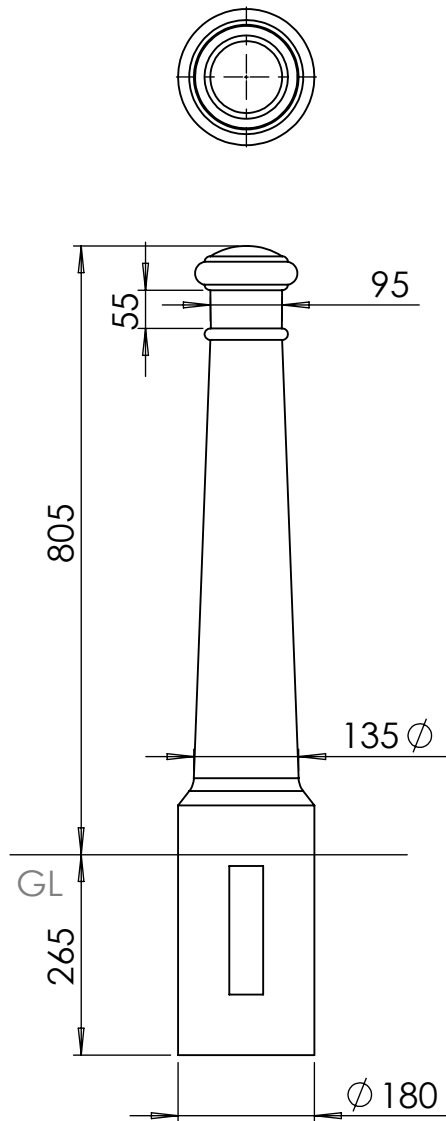
Reflective bands can be applied in white, red or yellow

Ram Raid Options:

Internal thick walled steel sleeves can be used to provide additional ram raid resistance

Logos / Coats of Arms:

Logos, emblems, coats of Arms etc. can be cast onto the side of the bollards on request



1:10



Cast Iron Bollards | ASF 103

Material:

100% recycled, engineering grade 250 cast iron or any grade of ductile cast iron

Standard Finish:

Zinc rich primer and metal shield top coat

Optional Finish:

Bollards are available polyester powder coated. Embellishments, rings and features can be hand painted in a contrasting colour

Adaptations:

Bollards supplied root fixed as standard, but can also be supplied removable or as fold down ASF 650 trough bollards

Reflective Bands:

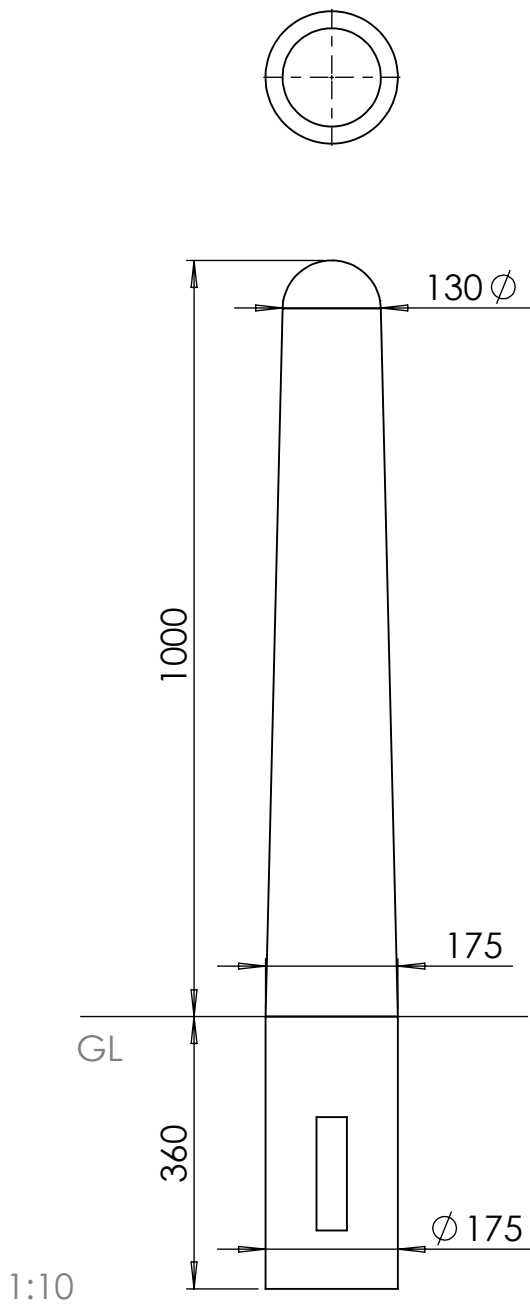
Reflective bands can be applied in white, red or yellow

Ram Raid Options:

Internal thick walled steel sleeves can be used to provide additional ram raid resistance

Logos / Coats of Arms:

Logos, emblems, coats of Arms etc. can be cast onto the side of the bollards on request



Cast Iron Bollards | ASF 104

Material:

100% recycled, engineering grade 250 cast iron or any grade of ductile cast iron

Standard Finish:

Zinc rich primer and metal shield top coat

Optional Finish:

Bollards are available polyester powder coated. Embellishments, rings and features can be hand painted in a contrasting colour

Adaptations:

Bollards supplied root fixed as standard, but can also be supplied removable or as fold down ASF 650 trough bollards

Reflective Bands:

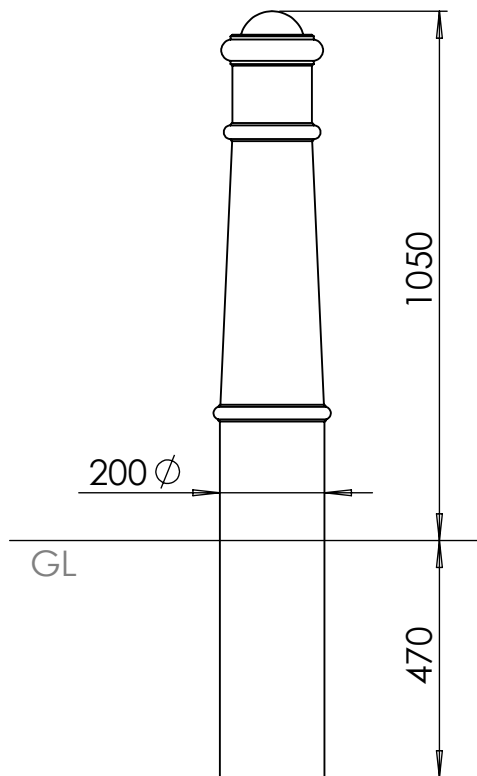
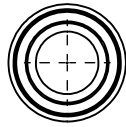
Reflective bands can be applied in white, red or yellow

Ram Raid Options:

Internal thick walled steel sleeves can be used to provide additional ram raid resistance

Logos / Coats of Arms:

Logos, emblems, coats of Arms etc. can be cast onto the side of the bollards on request



1:15

Cast Iron Bollards | ASF 105

Material:

100% recycled, engineering grade 250 cast iron or any grade of ductile cast iron

Standard Finish:

Zinc rich primer and metal shield top coat

Optional Finish:

Bollards are available polyester powder coated. Embellishments, rings and features can be hand painted in a contrasting colour

Adaptations:

Bollards supplied root fixed as standard, but can also be supplied removable or as fold down ASF 650 trough bollards

Reflective Bands:

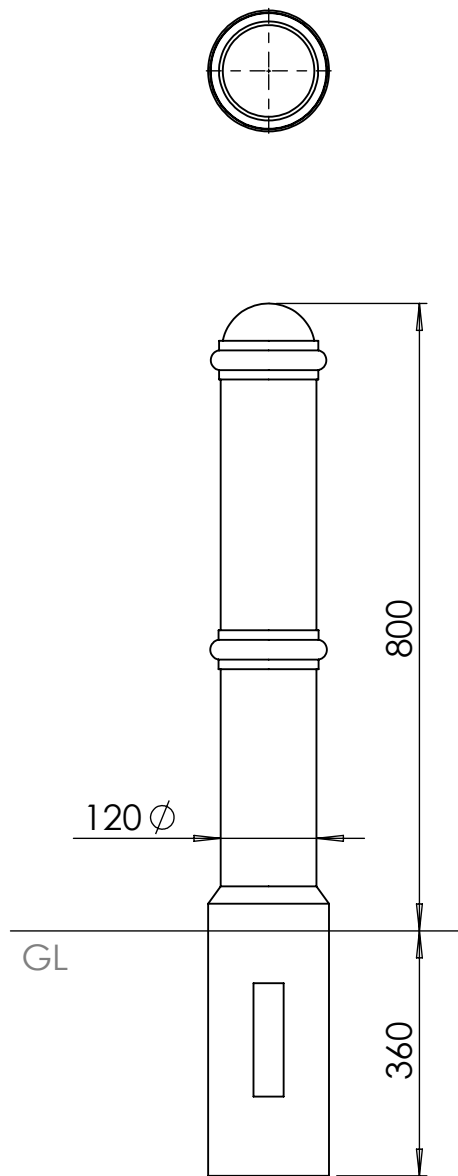
Reflective bands can be applied in white, red or yellow

Ram Raid Options:

Internal thick walled steel sleeves can be used to provide additional ram raid resistance

Logos / Coats of Arms:

Logos, emblems, coats of Arms etc. can be cast onto the side of the bollards on request



1:10

Cast Iron Bollards | ASF 106

Material:

100% recycled, engineering grade 250 cast iron or any grade of ductile cast iron

Standard Finish:

Zinc rich primer and metal shield top coat

Optional Finish:

Bollards are available polyester powder coated. Embellishments, rings and features can be hand painted in a contrasting colour

Adaptations:

Bollards supplied root fixed as standard, but can also be supplied removable or as fold down ASF 650 trough bollards

Reflective Bands:

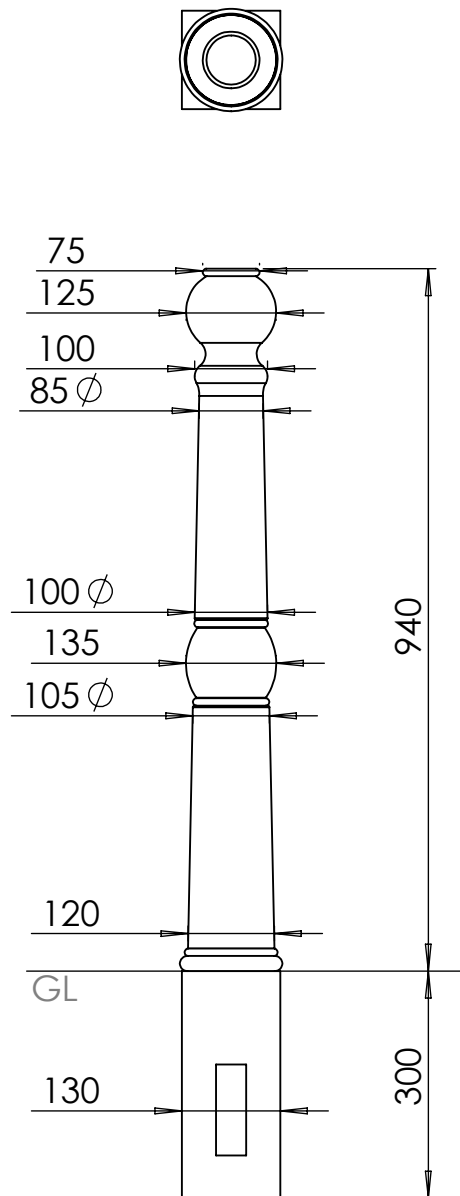
Reflective bands can be applied in white, red or yellow

Ram Raid Options:

Internal thick walled steel sleeves can be used to provide additional ram raid resistance

Logos / Coats of Arms:

Logos, emblems, coats of Arms etc. can be cast onto the side of the bollards on request



1:10

Cast Iron Bollards | ASF 107

Material:

100% recycled, engineering grade 250 cast iron or any grade of ductile cast iron

Standard Finish:

Zinc rich primer and metal shield top coat

Optional Finish:

Bollards are available polyester powder coated. Embellishments, rings and features can be hand painted in a contrasting colour

Adaptations:

Bollards supplied root fixed as standard, but can also be supplied removable or as fold down ASF 650 trough bollards

Reflective Bands:

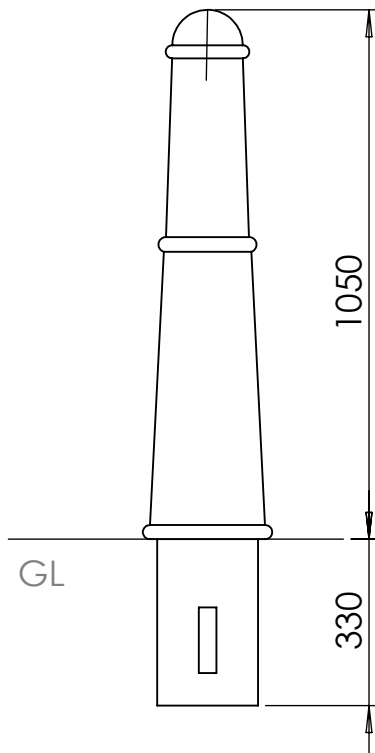
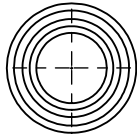
Reflective bands can be applied in white, red or yellow

Ram Raid Options:

Internal thick walled steel sleeves can be used to provide additional ram raid resistance

Logos / Coats of Arms:

Logos, emblems, coats of Arms etc. can be cast onto the side of the bollards on request



1:15

Cast Iron Bollards | ASF 108

Material:

100% recycled, engineering grade 250 cast iron or any grade of ductile cast iron

Standard Finish:

Zinc rich primer and metal shield top coat

Optional Finish:

Bollards are available polyester powder coated. Embellishments, rings and features can be hand painted in a contrasting colour

Adaptations:

Bollards supplied root fixed as standard, but can also be supplied removable or as fold down ASF 650 trough bollards

Reflective Bands:

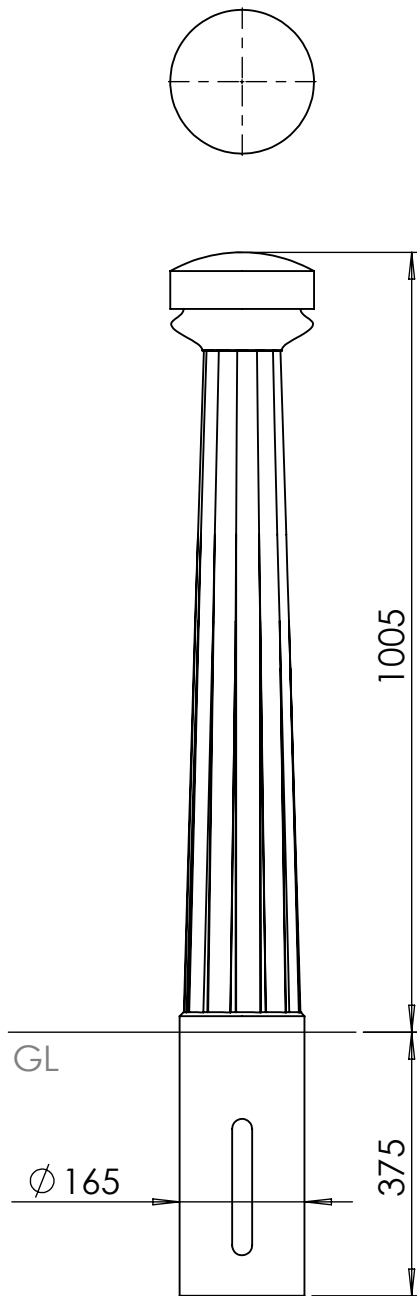
Reflective bands can be applied in white, red or yellow

Ram Raid Options:

Internal thick walled steel sleeves can be used to provide additional ram raid resistance

Logos / Coats of Arms:

Logos, emblems, coats of Arms etc. can be cast onto the side of the bollards on request



1:15



Cast Iron Bollards | ASF 109

Material:

100% recycled, engineering grade 250 cast iron or any grade of ductile cast iron

Standard Finish:

Zinc rich primer and metal shield top coat

Optional Finish:

Bollards are available polyester powder coated. Embellishments, rings and features can be hand painted in a contrasting colour

Adaptations:

Bollards supplied root fixed as standard, but can also be supplied removable or as fold down ASF 650 trough bollards

Reflective Bands:

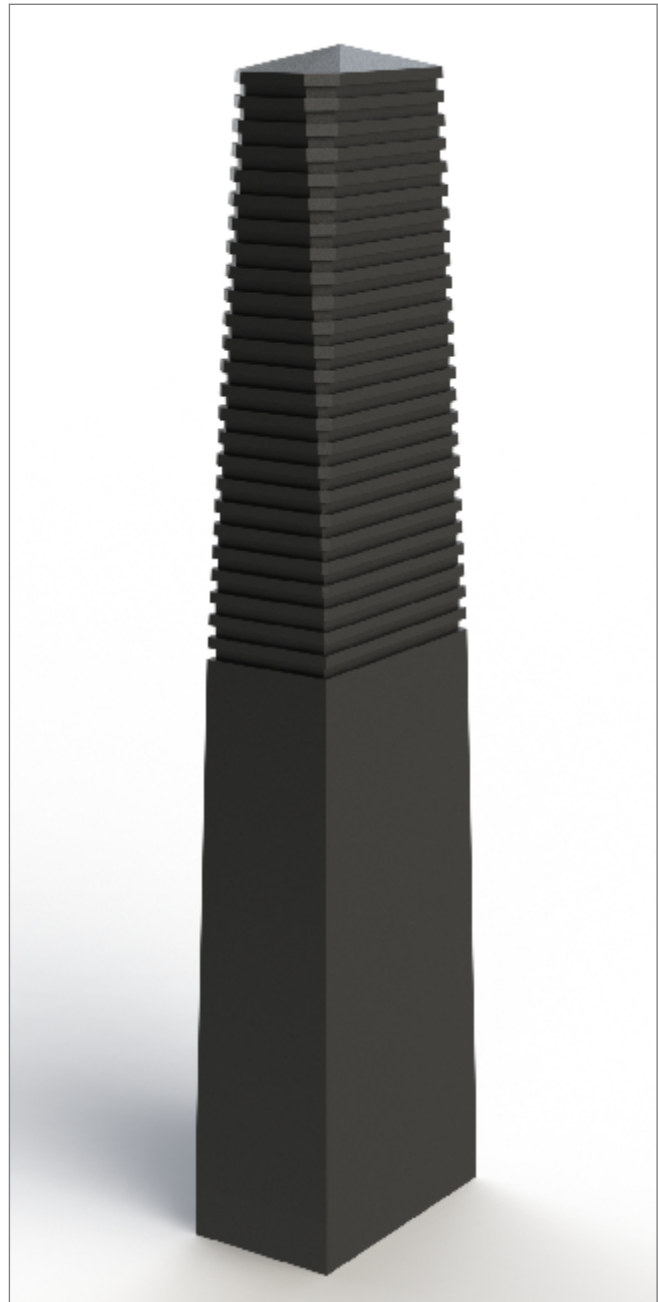
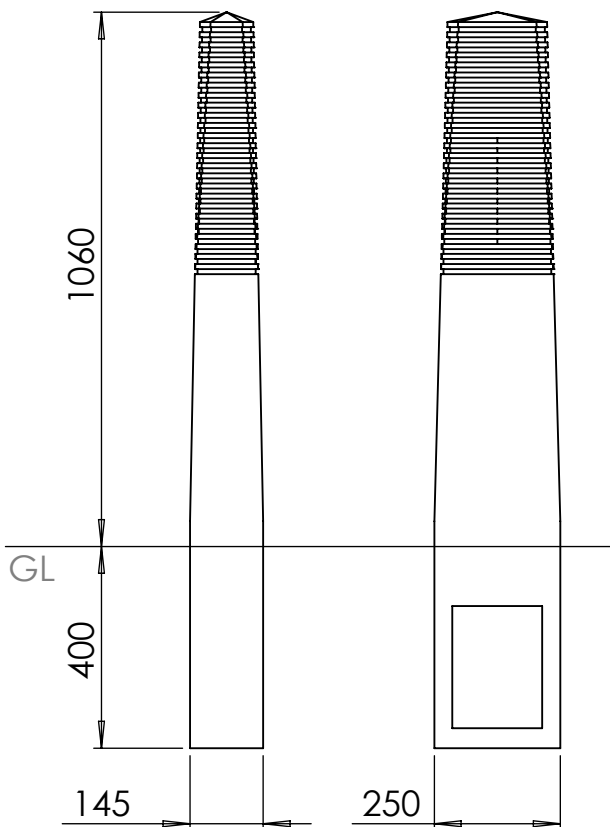
Reflective bands can be applied in white, red or yellow

Ram Raid Options:

Internal thick walled steel sleeves can be used to provide additional ram raid resistance

Logos / Coats of Arms:

Logos, emblems, coats of Arms etc. can be cast onto the side of the bollards on request



1:15

Cast Iron Bollards | ASF 110

Material:

100% recycled, engineering grade 250 cast iron or any grade of ductile cast iron

Standard Finish:

Zinc rich primer and metal shield top coat

Optional Finish:

Bollards are available polyester powder coated. Embellishments, rings and features can be hand painted in a contrasting colour

Adaptations:

Bollards supplied root fixed as standard, but can also be supplied removable or as fold down ASF 650 trough bollards

Reflective Bands:

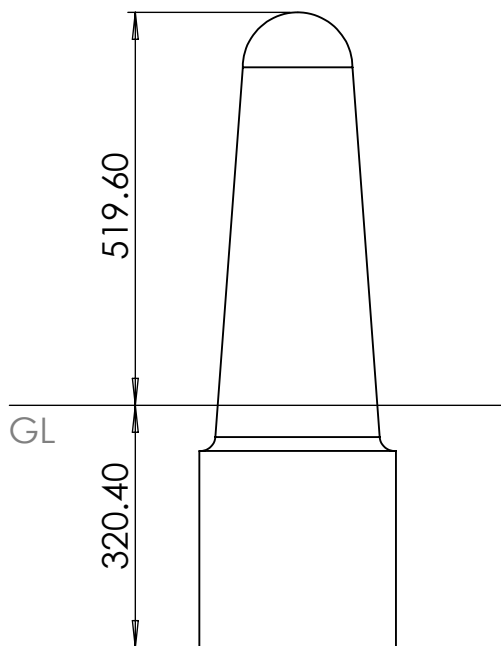
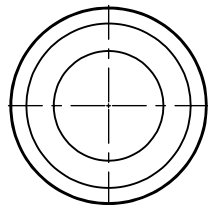
Reflective bands can be applied in white, red or yellow

Ram Raid Options:

Internal thick walled steel sleeves can be used to provide additional ram raid resistance

Logos / Coats of Arms:

Logos, emblems, coats of Arms etc. can be cast onto the side of the bollards on request



1:10



Cast Iron Bollards | ASF 111

Material:

100% recycled, engineering grade 250 cast iron or any grade of ductile cast iron

Standard Finish:

Zinc rich primer and metal shield top coat

Optional Finish:

Bollards are available polyester powder coated. Embellishments, rings and features can be hand painted in a contrasting colour

Adaptations:

Bollards supplied root fixed as standard, but can also be supplied removable or as fold down ASF 650 trough bollards

Reflective Bands:

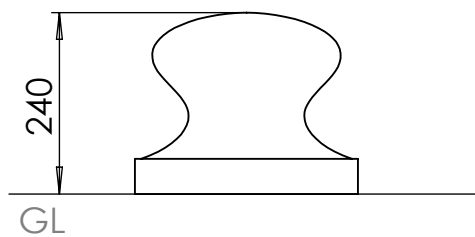
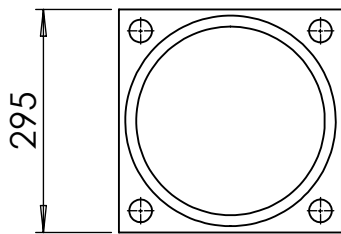
Reflective bands can be applied in white, red or yellow

Ram Raid Options:

Internal thick walled steel sleeves can be used to provide additional ram raid resistance

Logos / Coats of Arms:

Logos, emblems, coats of Arms etc. can be cast onto the side of the bollards on request



1:10



Cast Iron Bollards | ASF 112

Material:

100% recycled, engineering grade 250 cast iron or any grade of ductile cast iron

Standard Finish:

Zinc rich primer and metal shield top coat

Optional Finish:

Bollards are available polyester powder coated. Embellishments, rings and features can be hand painted in a contrasting colour

Adaptations:

Bollards supplied root fixed as standard, but can also be supplied removable or as fold down ASF 650 trough bollards

Reflective Bands:

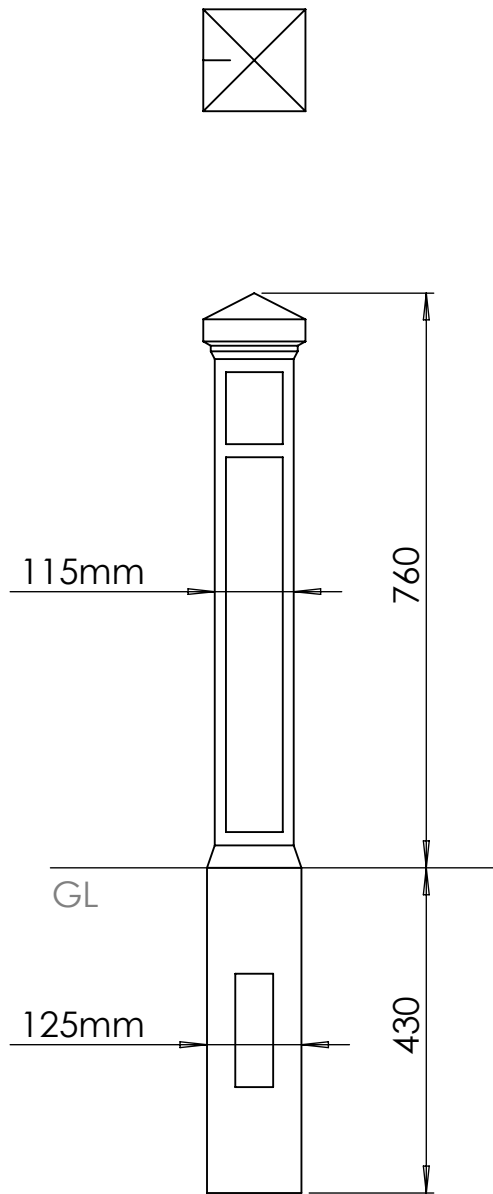
Reflective bands can be applied in white, red or yellow

Ram Raid Options:

Internal thick walled steel sleeves can be used to provide additional ram raid resistance

Logos / Coats of Arms:

Logos, emblems, coats of Arms etc. can be cast onto the side of the bollards on request



1:10

Cast Iron Bollards | ASF 113

Material:

100% recycled, engineering grade 250 cast iron or any grade of ductile cast iron

Standard Finish:

Zinc rich primer and metal shield top coat

Optional Finish:

Bollards are available polyester powder coated. Embellishments, rings and features can be hand painted in a contrasting colour

Adaptations:

Bollards supplied root fixed as standard, but can also be supplied removable or as fold down ASF 650 trough bollards

Reflective Bands:

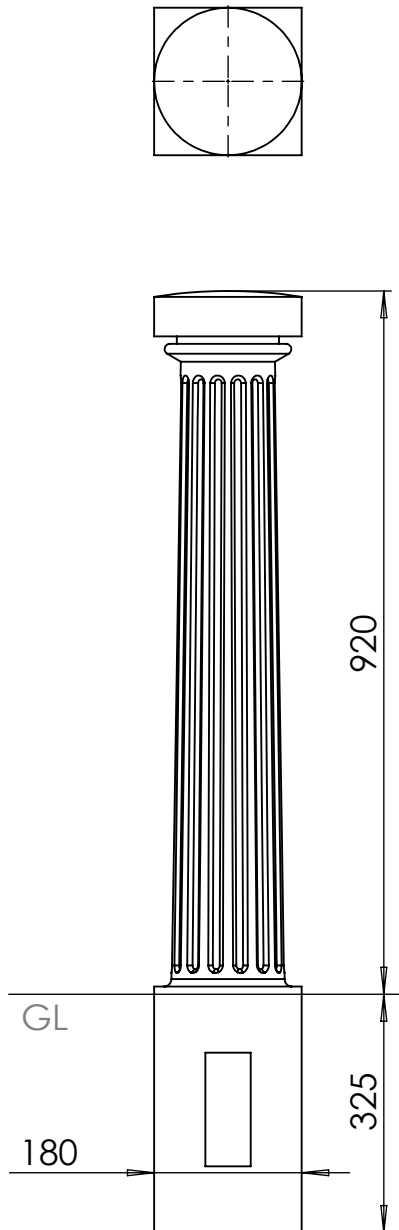
Reflective bands can be applied in white, red or yellow

Ram Raid Options:

Internal thick walled steel sleeves can be used to provide additional ram raid resistance

Logos / Coats of Arms:

Logos, emblems, coats of Arms etc. can be cast onto the side of the bollards on request



1:10

Cast Iron Bollards | ASF 114

Material:

100% recycled, engineering grade 250 cast iron or any grade of ductile cast iron

Standard Finish:

Zinc rich primer and metal shield top coat

Optional Finish:

Bollards are available polyester powder coated. Embellishments, rings and features can be hand painted in a contrasting colour

Adaptations:

Bollards supplied root fixed as standard, but can also be supplied removable or as fold down ASF 650 trough bollards

Reflective Bands:

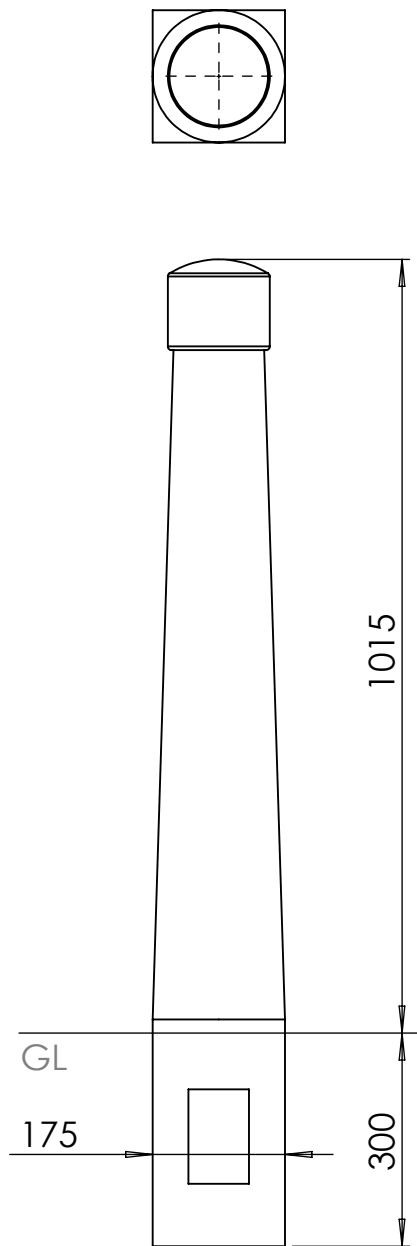
Reflective bands can be applied in white, red or yellow

Ram Raid Options:

Internal thick walled steel sleeves can be used to provide additional ram raid resistance

Logos / Coats of Arms:

Logos, emblems, coats of Arms etc. can be cast onto the side of the bollards on request



1:10

Cast Iron Bollards | ASF 115

Material:

100% recycled, engineering grade 250 cast iron or any grade of ductile cast iron

Standard Finish:

Zinc rich primer and metal shield top coat

Optional Finish:

Bollards are available polyester powder coated. Embellishments, rings and features can be hand painted in a contrasting colour

Adaptations:

Bollards supplied root fixed as standard, but can also be supplied removable or as fold down ASF 650 trough bollards

Reflective Bands:

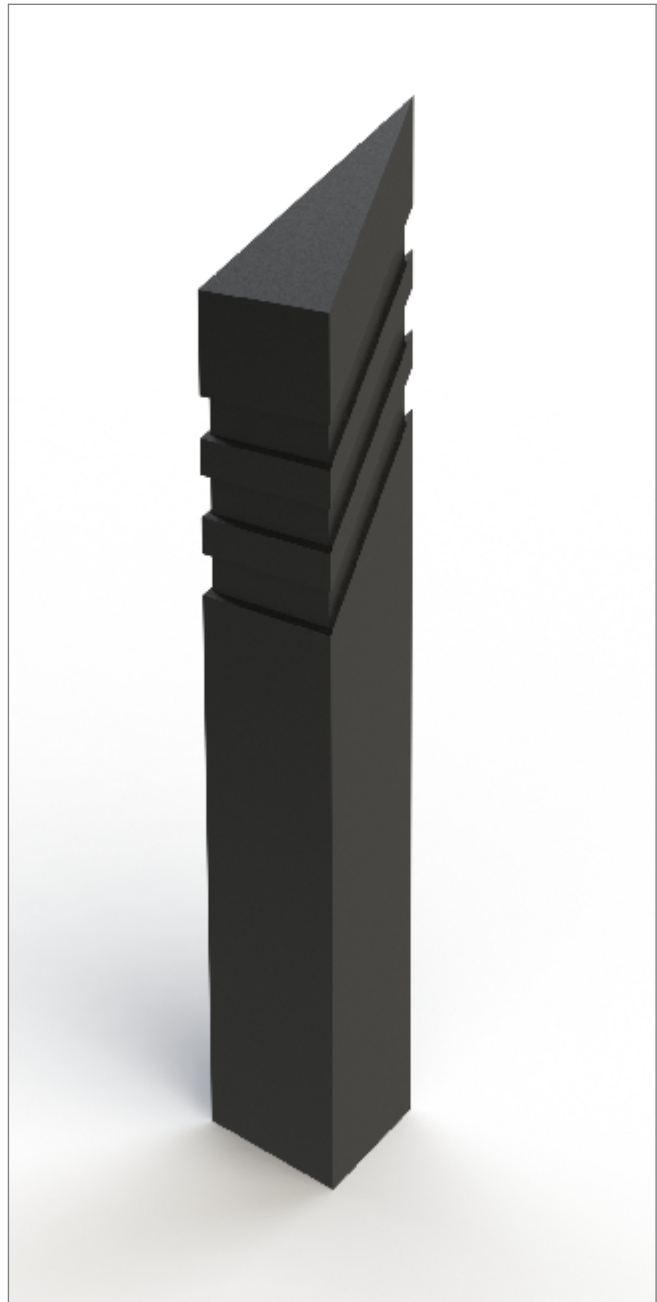
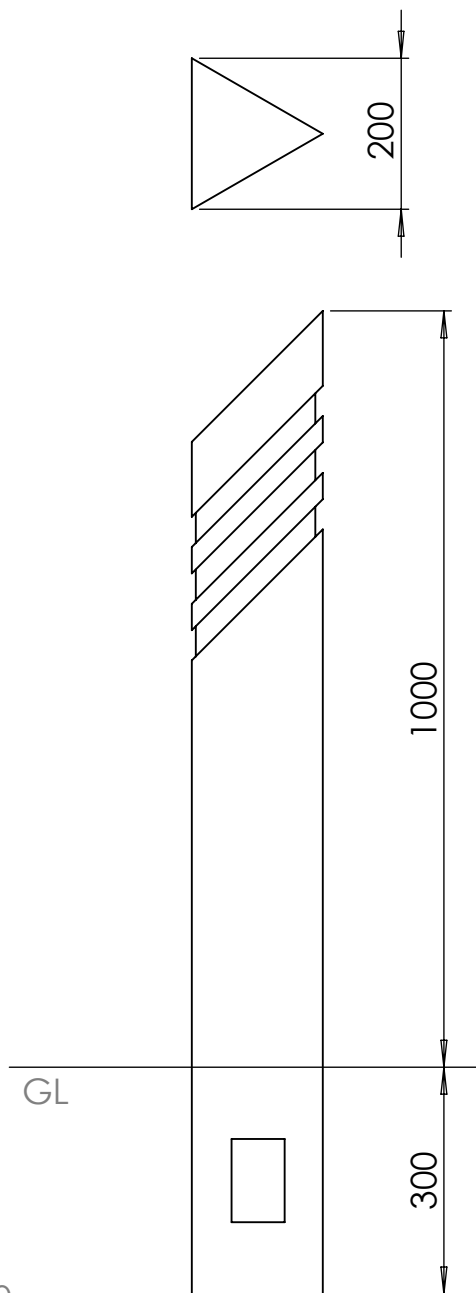
Reflective bands can be applied in white, red or yellow

Ram Raid Options:

Internal thick walled steel sleeves can be used to provide additional ram raid resistance

Logos / Coats of Arms:

Logos, emblems, coats of Arms etc. can be cast onto the side of the bollards on request



1:10

Cast Iron Bollards | ASF 116

Material:

100% recycled, engineering grade 250 cast iron or any grade of ductile cast iron

Standard Finish:

Zinc rich primer and metal shield top coat

Optional Finish:

Bollards are available polyester powder coated. Embellishments, rings and features can be hand painted in a contrasting colour

Adaptations:

Bollards supplied root fixed as standard, but can also be supplied removable or as fold down ASF 650 trough bollards

Reflective Bands:

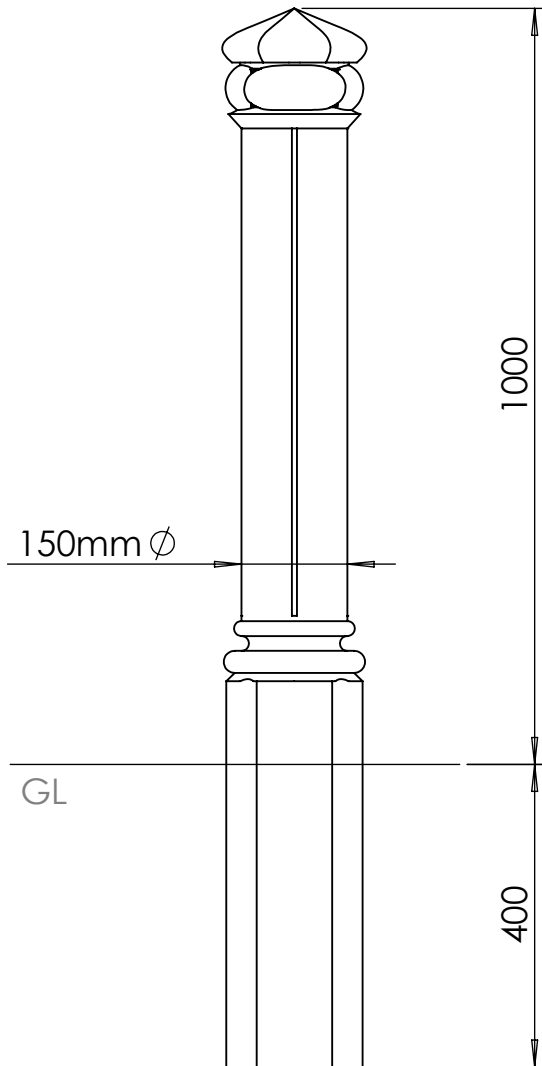
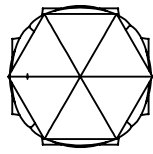
Reflective bands can be applied in white, red or yellow

Ram Raid Options:

Internal thick walled steel sleeves can be used to provide additional ram raid resistance

Logos / Coats of Arms:

Logos, emblems, coats of Arms etc. can be cast onto the side of the bollards on request



Cast Iron Bollards | ASF 117

Material:

100% recycled, engineering grade 250 cast iron or any grade of ductile cast iron

Standard Finish:

Zinc rich primer and metal shield top coat

Optional Finish:

Bollards are available polyester powder coated. Embellishments, rings and features can be hand painted in a contrasting colour

Adaptations:

Bollards supplied root fixed as standard, but can also be supplied removable or as fold down ASF 650 trough bollards

Reflective Bands:

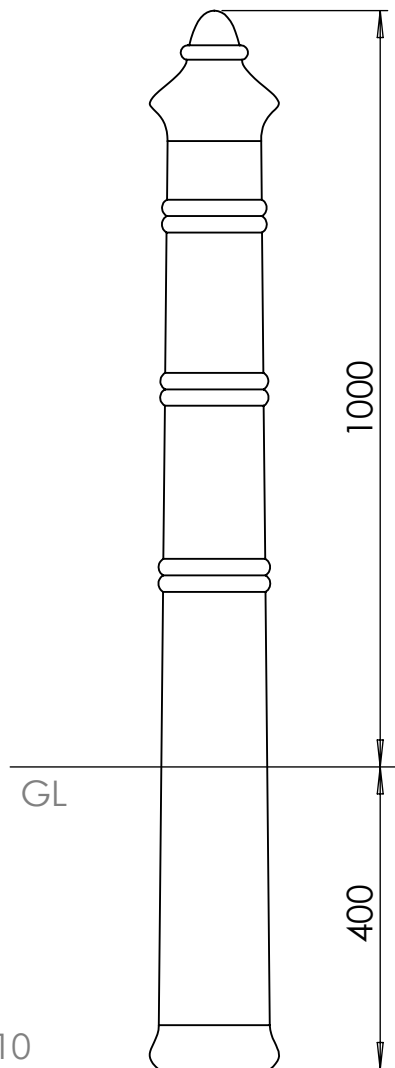
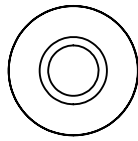
Reflective bands can be applied in white, red or yellow

Ram Raid Options:

Internal thick walled steel sleeves can be used to provide additional ram raid resistance

Logos / Coats of Arms:

Logos, emblems, coats of Arms etc. can be cast onto the side of the bollards on request



Cast Iron Bollards | ASF 118

Material:

100% recycled, engineering grade 250 cast iron or any grade of ductile cast iron

Standard Finish:

Zinc rich primer and metal shield top coat

Optional Finish:

Bollards are available polyester powder coated. Embellishments, rings and features can be hand painted in a contrasting colour

Adaptations:

Bollards supplied root fixed as standard, but can also be supplied removable or as fold down ASF 650 trough bollards

Reflective Bands:

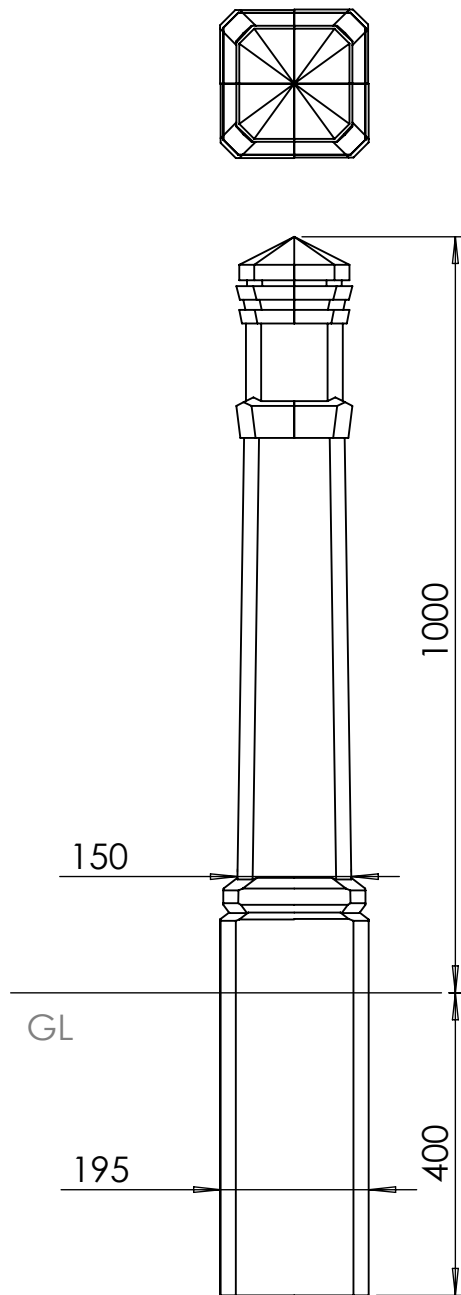
Reflective bands can be applied in white, red or yellow

Ram Raid Options:

Internal thick walled steel sleeves can be used to provide additional ram raid resistance

Logos / Coats of Arms:

Logos, emblems, coats of Arms etc. can be cast onto the side of the bollards on request



1:10



Cast Iron Bollards | ASF 119

Material:

100% recycled, engineering grade 250 cast iron or any grade of ductile cast iron

Standard Finish:

Zinc rich primer and metal shield top coat

Optional Finish:

Bollards are available polyester powder coated. Embellishments, rings and features can be hand painted in a contrasting colour

Adaptations:

Bollards supplied root fixed as standard, but can also be supplied removable or as fold down ASF 650 trough bollards

Reflective Bands:

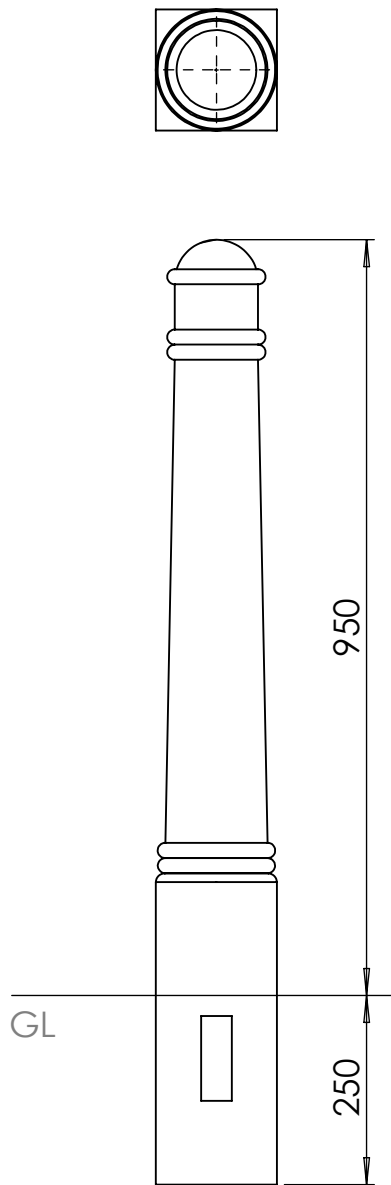
Reflective bands can be applied in white, red or yellow

Ram Raid Options:

Internal thick walled steel sleeves can be used to provide additional ram raid resistance

Logos / Coats of Arms:

Logos, emblems, coats of Arms etc. can be cast onto the side of the bollards on request



1:10

Cast Iron Bollards | ASF 120

Material:

100% recycled, engineering grade 250 cast iron or any grade of ductile cast iron

Standard Finish:

Zinc rich primer and metal shield top coat

Optional Finish:

Bollards are available polyester powder coated. Embellishments, rings and features can be hand painted in a contrasting colour

Adaptations:

Bollards supplied root fixed as standard, but can also be supplied removable or as fold down ASF 650 trough bollards

Reflective Bands:

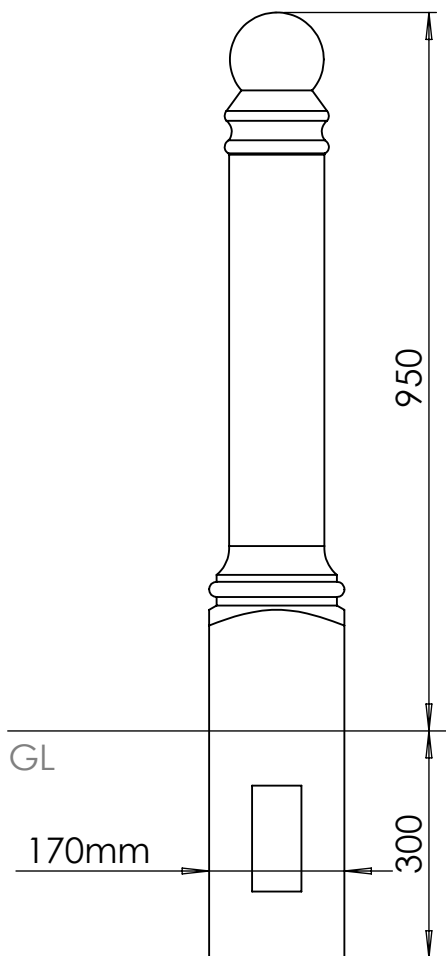
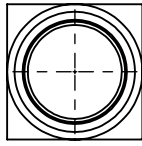
Reflective bands can be applied in white, red or yellow

Ram Raid Options:

Internal thick walled steel sleeves can be used to provide additional ram raid resistance

Logos / Coats of Arms:

Logos, emblems, coats of Arms etc. can be cast onto the side of the bollards on request



1:10



Cast Iron Bollards | ASF 121

Material:

100% recycled, engineering grade 250 cast iron or any grade of ductile cast iron

Standard Finish:

Zinc rich primer and metal shield top coat

Optional Finish:

Bollards are available polyester powder coated. Embellishments, rings and features can be hand painted in a contrasting colour

Adaptations:

Bollards supplied root fixed as standard, but can also be supplied removable or as fold down ASF 650 trough bollards

Reflective Bands:

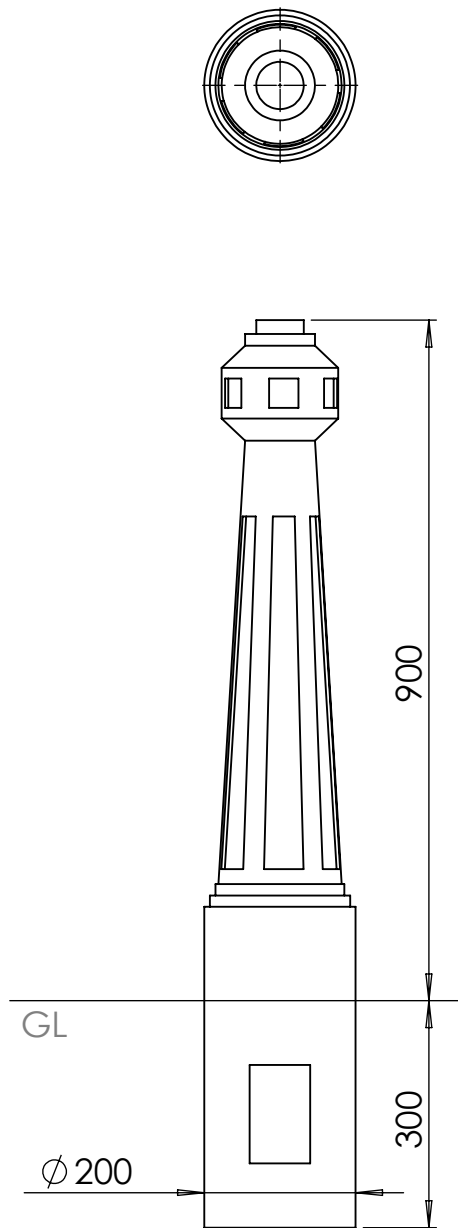
Reflective bands can be applied in white, red or yellow

Ram Raid Options:

Internal thick walled steel sleeves can be used to provide additional ram raid resistance

Logos / Coats of Arms:

Logos, emblems, coats of Arms etc. can be cast onto the side of the bollards on request



1:10



Cast Iron Bollards | ASF 122

Material:

100% recycled, engineering grade 250 cast iron or any grade of ductile cast iron

Standard Finish:

Zinc rich primer and metal shield top coat

Optional Finish:

Bollards are available polyester powder coated. Embellishments, rings and features can be hand painted in a contrasting colour

Adaptations:

Bollards supplied root fixed as standard, but can also be supplied removable or as fold down ASF 650 trough bollards

Reflective Bands:

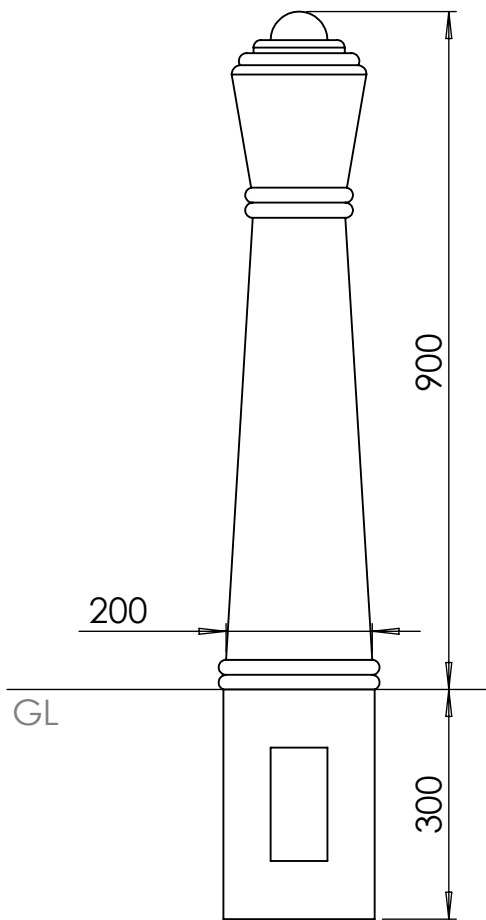
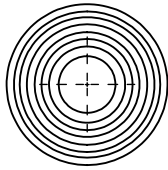
Reflective bands can be applied in white, red or yellow

Ram Raid Options:

Internal thick walled steel sleeves can be used to provide additional ram raid resistance

Logos / Coats of Arms:

Logos, emblems, coats of Arms etc. can be cast onto the side of the bollards on request



1:10



Cast Iron Bollards | ASF 123

Material:

100% recycled, engineering grade 250 cast iron or any grade of ductile cast iron

Standard Finish:

Zinc rich primer and metal shield top coat

Optional Finish:

Bollards are available polyester powder coated. Embellishments, rings and features can be hand painted in a contrasting colour

Adaptations:

Bollards supplied root fixed as standard, but can also be supplied removable or as fold down ASF 650 trough bollards

Reflective Bands:

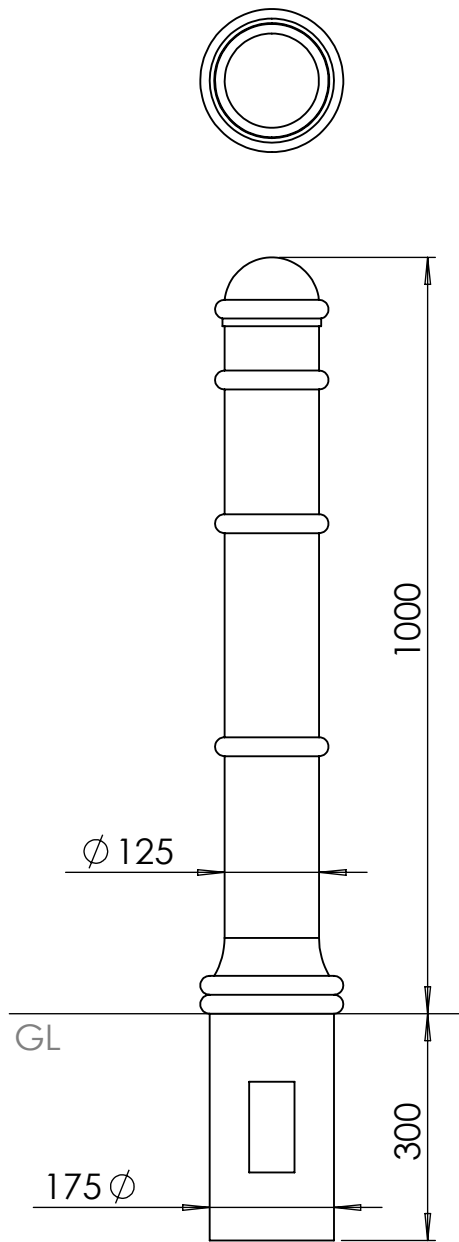
Reflective bands can be applied in white, red or yellow

Ram Raid Options:

Internal thick walled steel sleeves can be used to provide additional ram raid resistance

Logos / Coats of Arms:

Logos, emblems, coats of Arms etc. can be cast onto the side of the bollards on request



1:10



Cast Iron Bollards | ASF 124

Material:

100% recycled, engineering grade 250 cast iron or any grade of ductile cast iron

Standard Finish:

Zinc rich primer and metal shield top coat

Optional Finish:

Bollards are available polyester powder coated. Embellishments, rings and features can be hand painted in a contrasting colour

Adaptations:

Bollards supplied root fixed as standard, but can also be supplied removable or as fold down ASF 650 trough bollards

Reflective Bands:

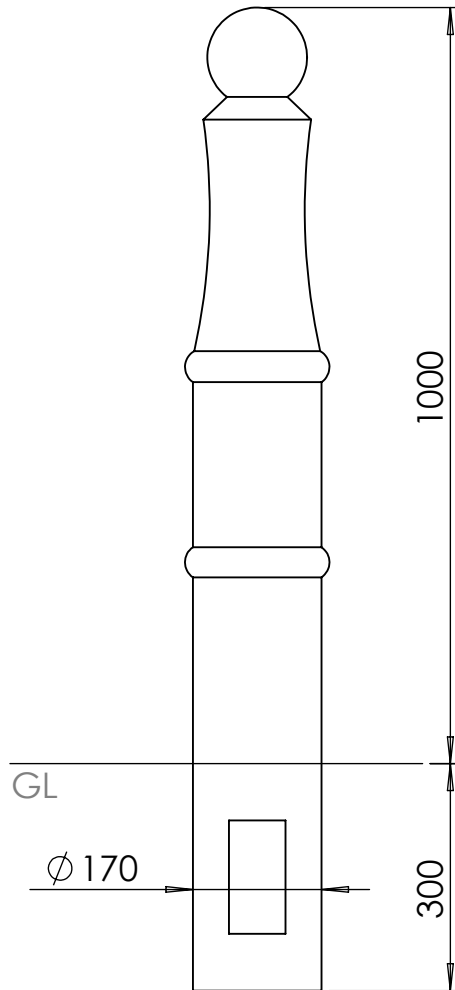
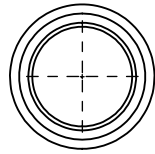
Reflective bands can be applied in white, red or yellow

Ram Raid Options:

Internal thick walled steel sleeves can be used to provide additional ram raid resistance

Logos / Coats of Arms:

Logos, emblems, coats of Arms etc. can be cast onto the side of the bollards on request



1:10



Cast Iron Bollards | ASF 125

Material:

100% recycled, engineering grade 250 cast iron or any grade of ductile cast iron

Standard Finish:

Zinc rich primer and metal shield top coat

Optional Finish:

Bollards are available polyester powder coated. Embellishments, rings and features can be hand painted in a contrasting colour

Adaptations:

Bollards supplied root fixed as standard, but can also be supplied removable or as fold down ASF 650 trough bollards

Reflective Bands:

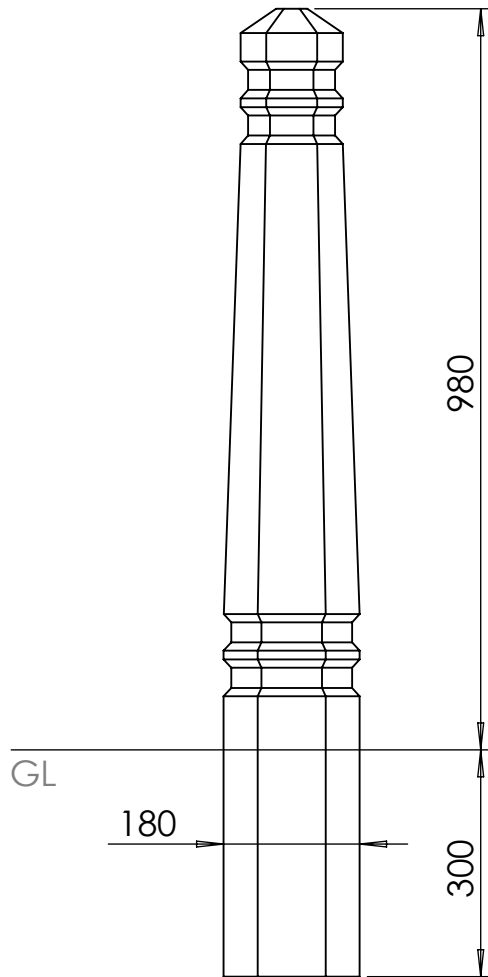
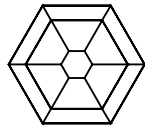
Reflective bands can be applied in white, red or yellow

Ram Raid Options:

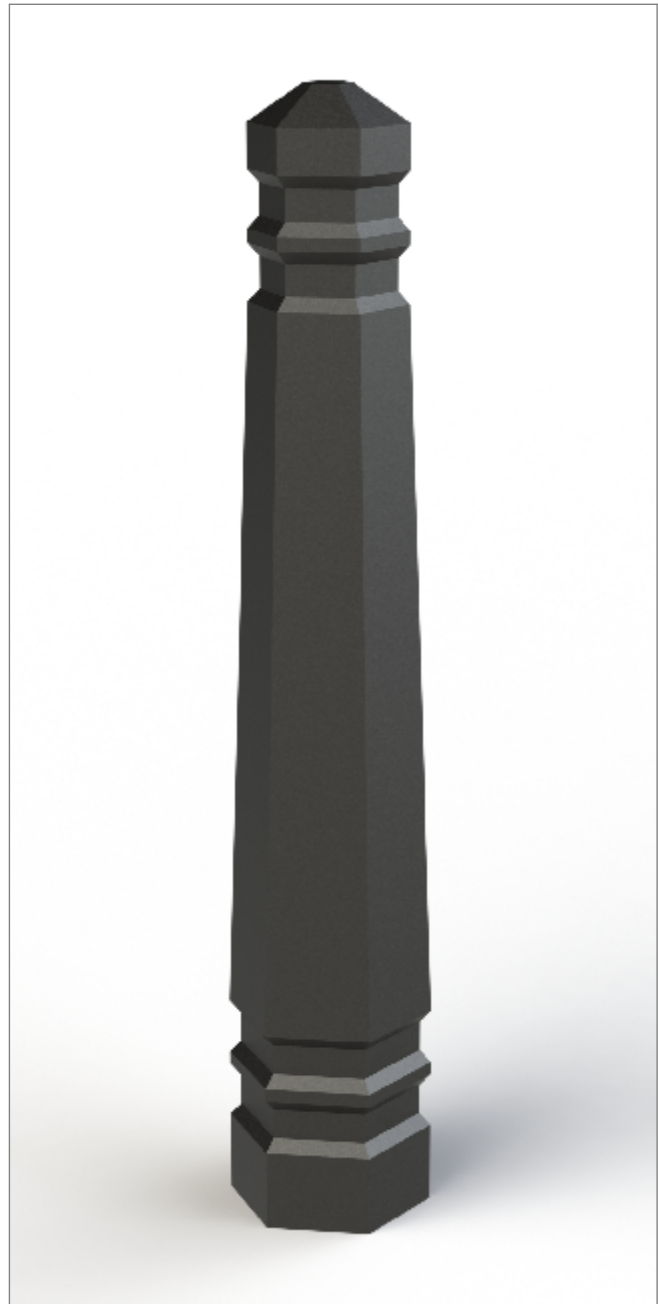
Internal thick walled steel sleeves can be used to provide additional ram raid resistance

Logos / Coats of Arms:

Logos, emblems, coats of Arms etc. can be cast onto the side of the bollards on request



1:10



Cast Iron Bollards | ASF 126

Material:

100% recycled, engineering grade 250 cast iron or any grade of ductile cast iron

Standard Finish:

Zinc rich primer and metal shield top coat

Optional Finish:

Bollards are available polyester powder coated. Embellishments, rings and features can be hand painted in a contrasting colour

Adaptations:

Bollards supplied root fixed as standard, but can also be supplied removable or as fold down ASF 650 trough bollards

Reflective Bands:

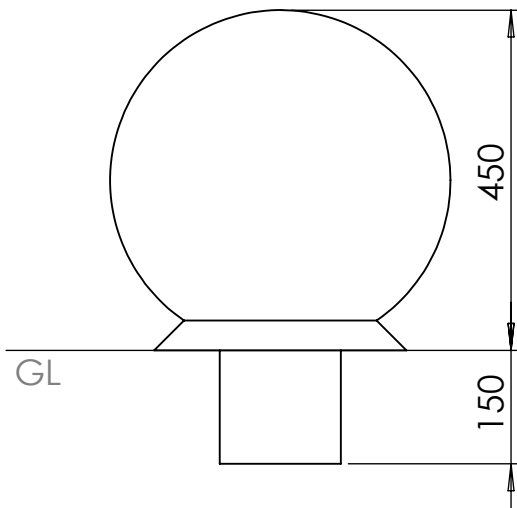
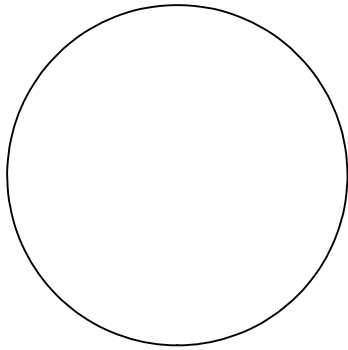
Reflective bands can be applied in white, red or yellow

Ram Raid Options:

Internal thick walled steel sleeves can be used to provide additional ram raid resistance

Logos / Coats of Arms:

Logos, emblems, coats of Arms etc. can be cast onto the side of the bollards on request



1:10



Cast Iron Bollards | ASF 127

Material:

100% recycled, engineering grade 250 cast iron or any grade of ductile cast iron

Standard Finish:

Zinc rich primer and metal shield top coat

Optional Finish:

Bollards are available polyester powder coated. Embellishments, rings and features can be hand painted in a contrasting colour

Adaptations:

Bollards supplied root fixed as standard, but can also be supplied removable or as fold down ASF 650 trough bollards

Reflective Bands:

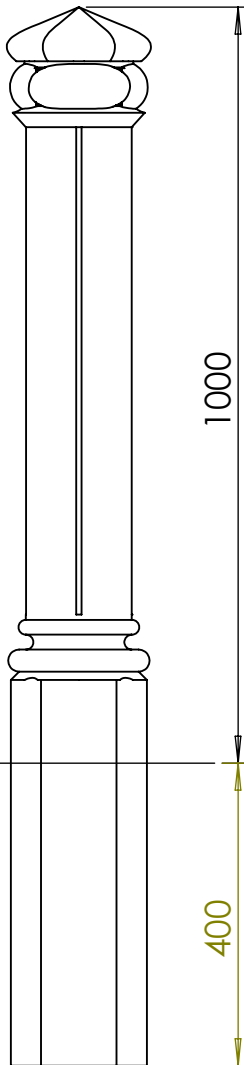
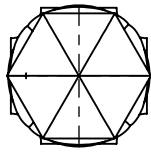
Reflective bands can be applied in white, red or yellow

Ram Raid Options:

Internal thick walled steel sleeves can be used to provide additional ram raid resistance

Logos / Coats of Arms:

Logos, emblems, coats of Arms etc. can be cast onto the side of the bollards on request



1:10



Cast Iron Bollards | ASF 128

Material:

100% recycled, engineering grade 250 cast iron or any grade of ductile cast iron

Standard Finish:

Zinc rich primer and metal shield top coat

Optional Finish:

Bollards are available polyester powder coated. Embellishments, rings and features can be hand painted in a contrasting colour

Adaptations:

Bollards supplied root fixed as standard, but can also be supplied removable or as fold down ASF 650 trough bollards

Reflective Bands:

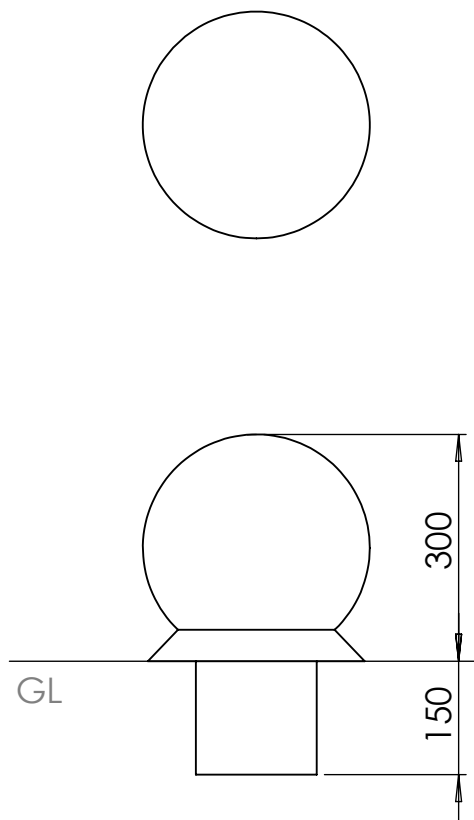
Reflective bands can be applied in white, red or yellow

Ram Raid Options:

Internal thick walled steel sleeves can be used to provide additional ram raid resistance

Logos / Coats of Arms:

Logos, emblems, coats of Arms etc. can be cast onto the side of the bollards on request



1:10

Cast Iron Bollards | ASF 129

Material:

100% recycled, engineering grade 250 cast iron or any grade of ductile cast iron

Standard Finish:

Zinc rich primer and metal shield top coat

Optional Finish:

Bollards are available polyester powder coated. Embellishments, rings and features can be hand painted in a contrasting colour

Adaptations:

Bollards supplied root fixed as standard, but can also be supplied removable or as fold down ASF 650 trough bollards

Reflective Bands:

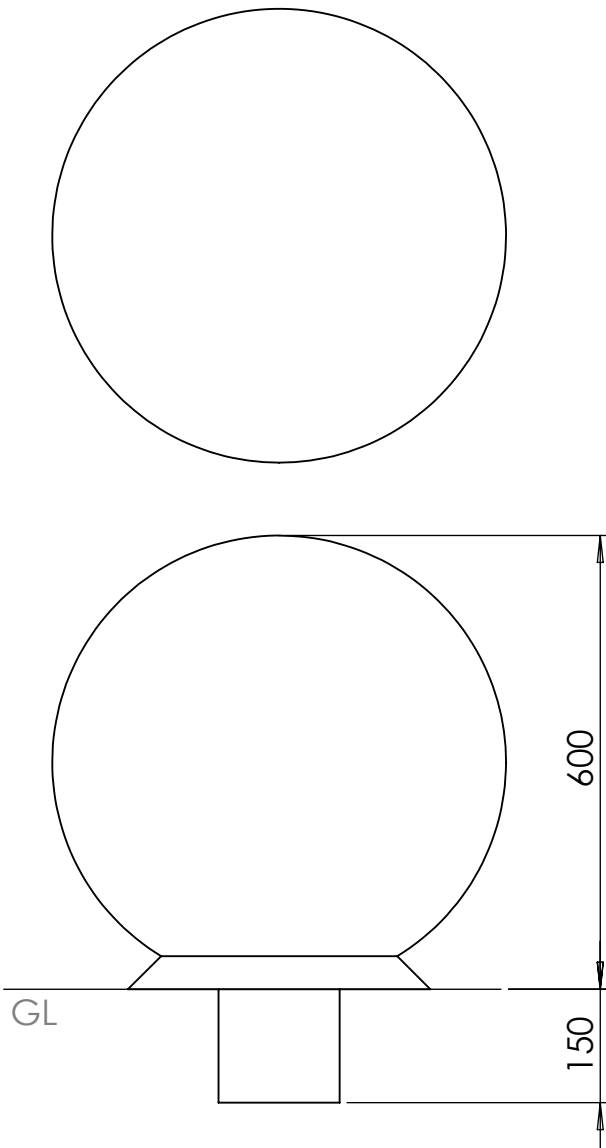
Reflective bands can be applied in white, red or yellow

Ram Raid Options:

Internal thick walled steel sleeves can be used to provide additional ram raid resistance

Logos / Coats of Arms:

Logos, emblems, coats of Arms etc. can be cast onto the side of the bollards on request



1:10



Cast Iron Bollards | ASF 130

Material:

100% recycled, engineering grade 250 cast iron or any grade of ductile cast iron

Standard Finish:

Zinc rich primer and metal shield top coat

Optional Finish:

Bollards are available polyester powder coated. Embellishments, rings and features can be hand painted in a contrasting colour

Adaptations:

Bollards supplied root fixed as standard, but can also be supplied removable or as fold down ASF 650 trough bollards

Reflective Bands:

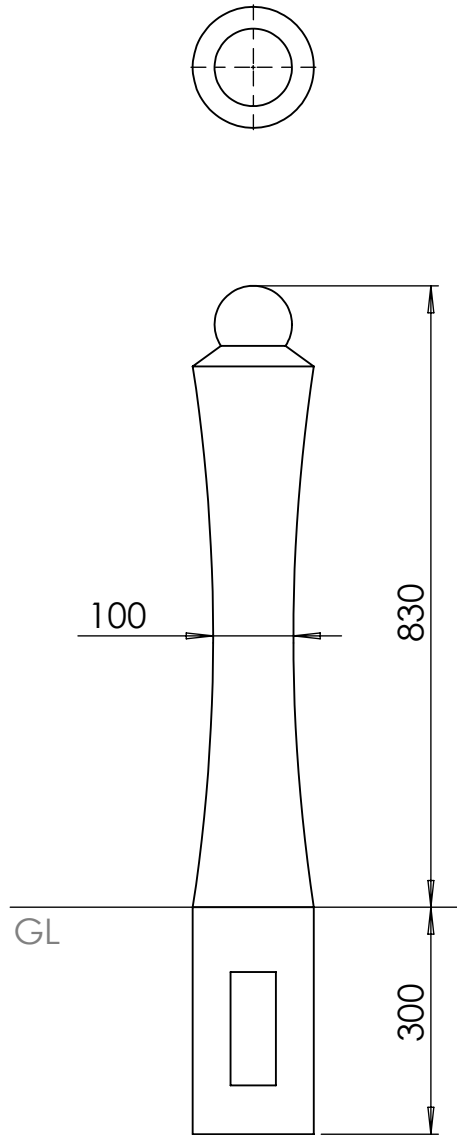
Reflective bands can be applied in white, red or yellow

Ram Raid Options:

Internal thick walled steel sleeves can be used to provide additional ram raid resistance

Logos / Coats of Arms:

Logos, emblems, coats of Arms etc. can be cast onto the side of the bollards on request



1:10

Cast Iron Bollards | ASF 131

Material:

100% recycled, engineering grade 250 cast iron or any grade of ductile cast iron

Standard Finish:

Zinc rich primer and metal shield top coat

Optional Finish:

Bollards are available polyester powder coated. Embellishments, rings and features can be hand painted in a contrasting colour

Adaptations:

Bollards supplied root fixed as standard, but can also be supplied removable or as fold down ASF 650 trough bollards

Reflective Bands:

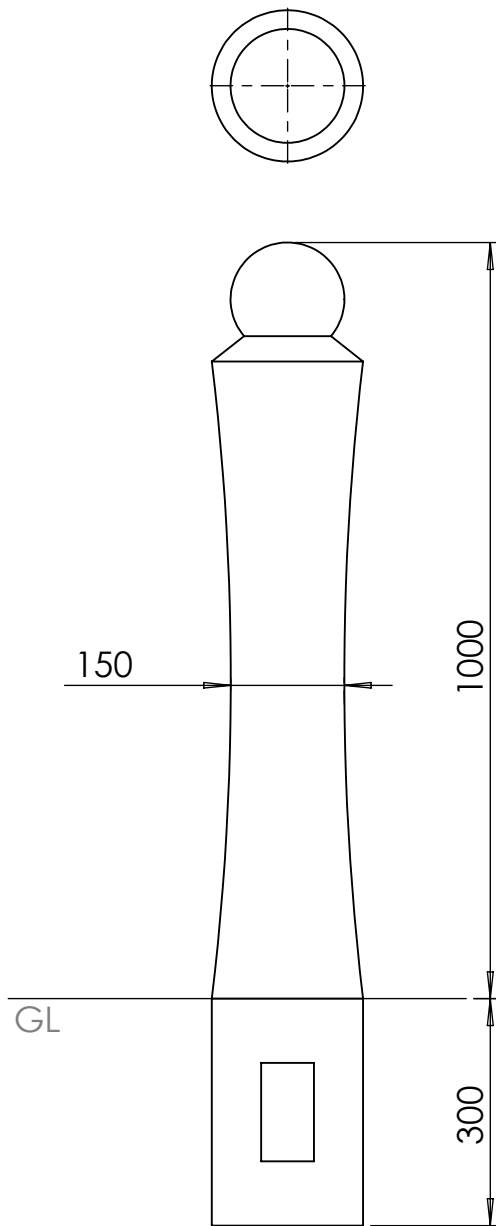
Reflective bands can be applied in white, red or yellow

Ram Raid Options:

Internal thick walled steel sleeves can be used to provide additional ram raid resistance

Logos / Coats of Arms:

Logos, emblems, coats of Arms etc. can be cast onto the side of the bollards on request



1:10



Cast Iron Bollards | ASF 132

Material:

100% recycled, engineering grade 250 cast iron or any grade of ductile cast iron

Standard Finish:

Zinc rich primer and metal shield top coat

Optional Finish:

Bollards are available polyester powder coated. Embellishments, rings and features can be hand painted in a contrasting colour

Adaptations:

Bollards supplied root fixed as standard, but can also be supplied removable or as fold down ASF 650 trough bollards

Reflective Bands:

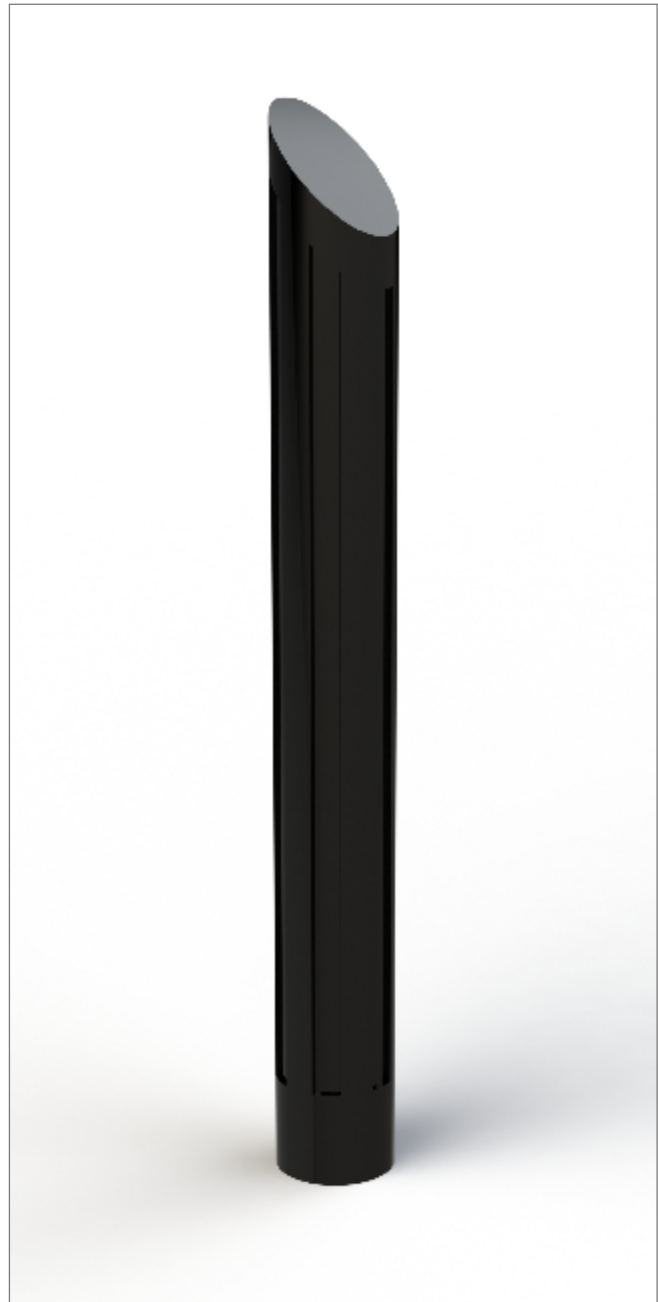
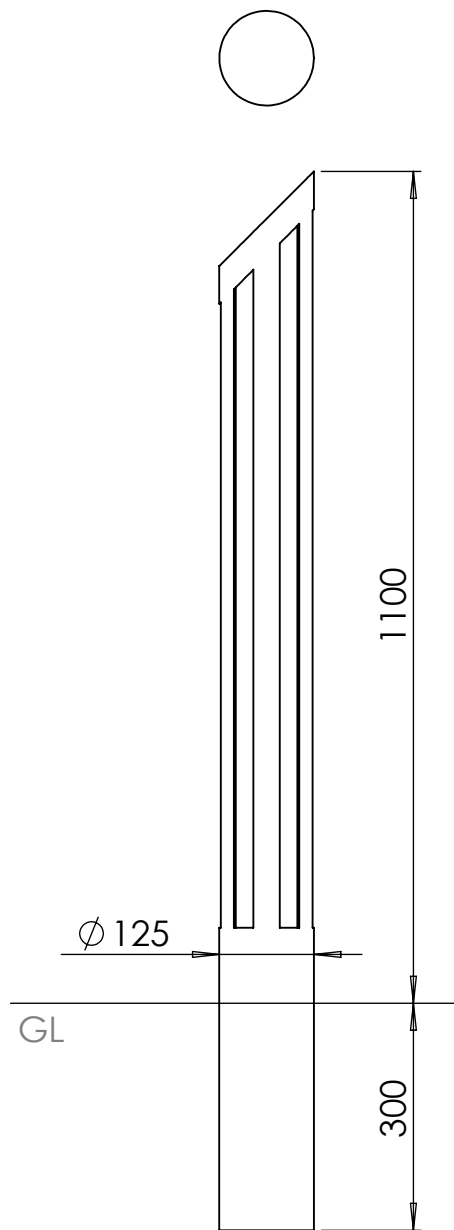
Reflective bands can be applied in white, red or yellow

Ram Raid Options:

Internal thick walled steel sleeves can be used to provide additional ram raid resistance

Logos / Coats of Arms:

Logos, emblems, coats of Arms etc. can be cast onto the side of the bollards on request



1:10

Cast Iron Bollards | ASF 133

Material:

100% recycled, engineering grade 250 cast iron or any grade of ductile cast iron

Standard Finish:

Zinc rich primer and metal shield top coat

Optional Finish:

Bollards are available polyester powder coated. Embellishments, rings and features can be hand painted in a contrasting colour

Adaptations:

Bollards supplied root fixed as standard, but can also be supplied removable or as fold down ASF 650 trough bollards

Reflective Bands:

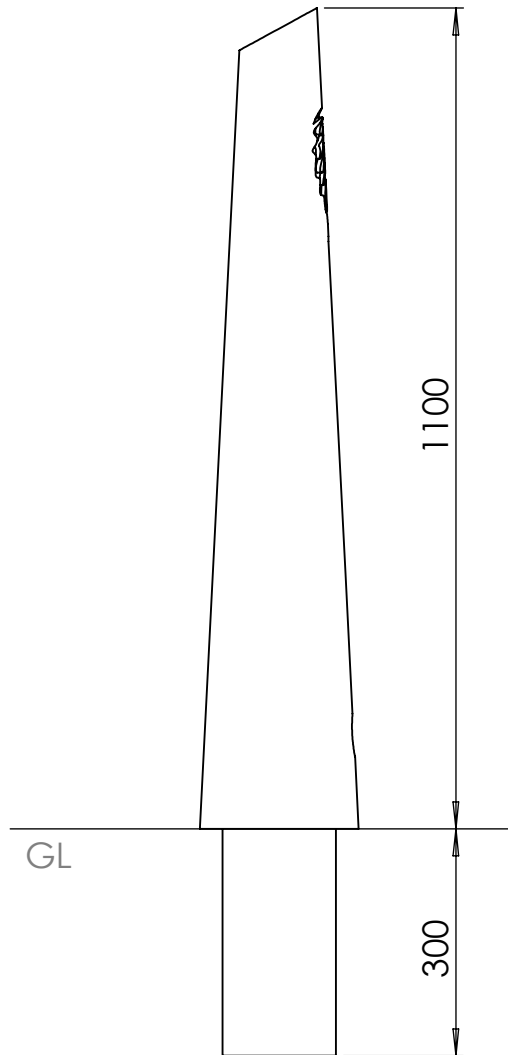
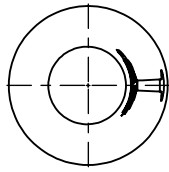
Reflective bands can be applied in white, red or yellow

Ram Raid Options:

Internal thick walled steel sleeves can be used to provide additional ram raid resistance

Logos / Coats of Arms:

Logos, emblems, coats of Arms etc. can be cast onto the side of the bollards on request



1:10



Cast Iron Bollards | ASF 134

Material:

100% recycled, engineering grade 250 cast iron or any grade of ductile cast iron

Standard Finish:

Zinc rich primer and metal shield top coat

Optional Finish:

Bollards are available polyester powder coated. Embellishments, rings and features can be hand painted in a contrasting colour

Adaptations:

Bollards supplied root fixed as standard, but can also be supplied removable or as fold down ASF 650 trough bollards

Reflective Bands:

Reflective bands can be applied in white, red or yellow

Ram Raid Options:

Internal thick walled steel sleeves can be used to provide additional ram raid resistance

Logos / Coats of Arms:

Logos, emblems, coats of Arms etc. can be cast onto the side of the bollards on request